

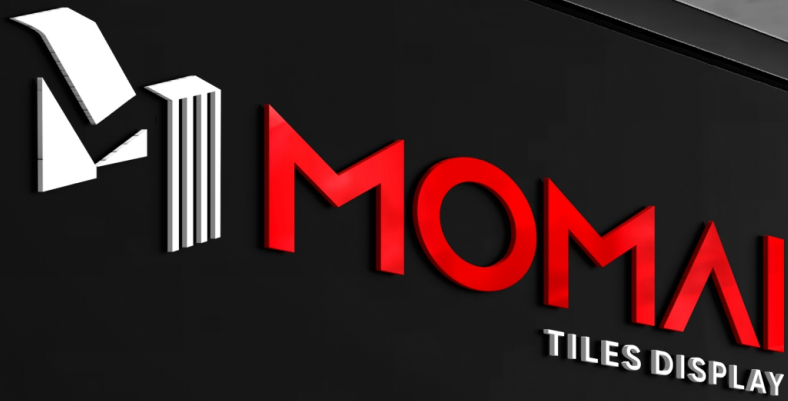


DISPLAYS THAT DO THE TALKING.

[www.momaitilesdisplay.com](http://www.momaitilesdisplay.com)

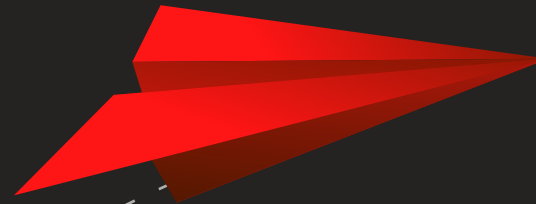
## About Us

Momai Tiles Display is a trusted manufacturer of modern and durable tile display stands for showrooms and retail spaces. We create smart and functional display solutions that help businesses present tiles in an organized and attractive way. Our focus on quality, innovation, and customer satisfaction allows us to deliver reliable products for the ceramic industry.



# Vision

At Momai Tiles Display, our vision is to become a trusted global leader in innovative tile display stand manufacturing by delivering modern, durable, and visually impactful display solutions that elevate showroom experiences. We aim to help tile brands, retailers, and distributors present their products with elegance, efficiency, and professionalism while continuously setting new standards in design, quality, and functionality.



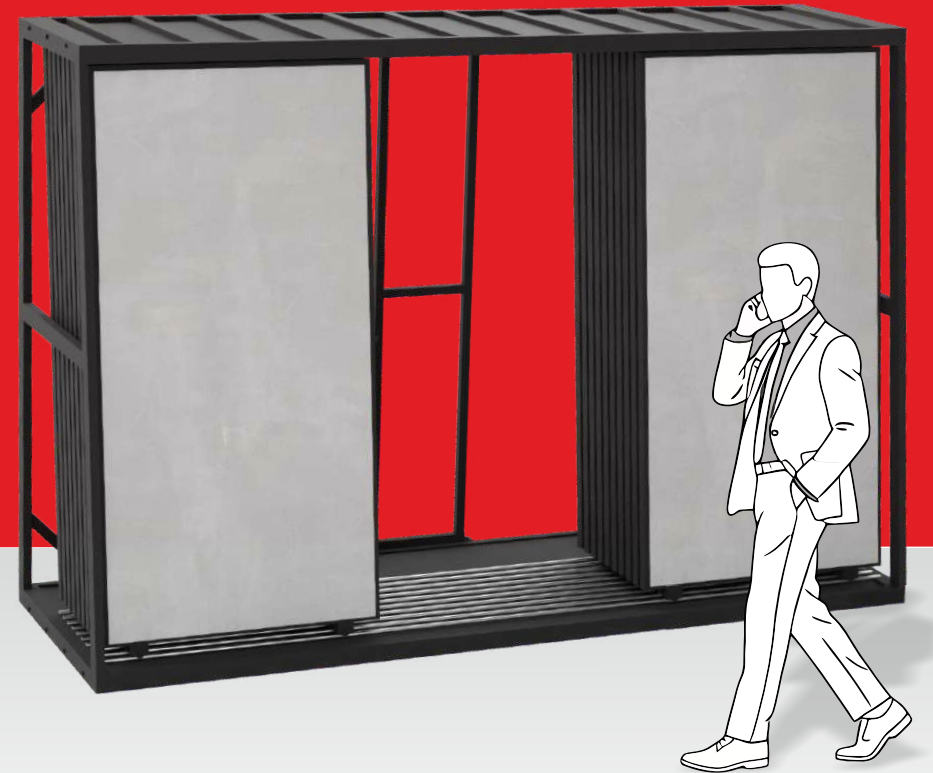
# Mission

Our mission is to manufacture high-quality tile display stands that combine strength, smart engineering, and aesthetic appeal to meet the evolving needs of the ceramic and tile industry. We are committed to providing customized solutions, reliable service, timely delivery, and long-term value to our clients while building strong relationships through innovation, craftsmanship, and customer satisfaction.



**BOMBAY**  
BOOK


**SLIDER**  
STANDS



## **ADAPTIVE SIZE**

POWERFUL DISPLAY THAT GRABS ATTENTION

[www.momaitilesdisplay.com](http://www.momaitilesdisplay.com)



**BOMBAY**  
BOOK



## MATERIAL DETAILS

**TYPE :** MS PIPE

**COATING :** POWDER COATING

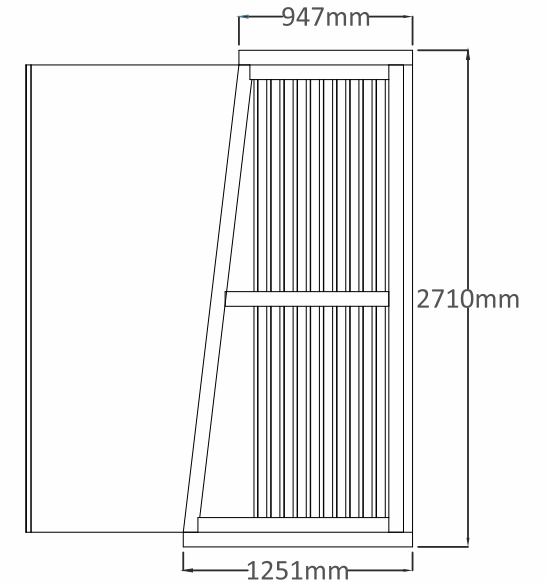
**PLATE THICKNESS :** 1.2 MM

**OUTER BODY STRUCTURE PIPE :** 50X50

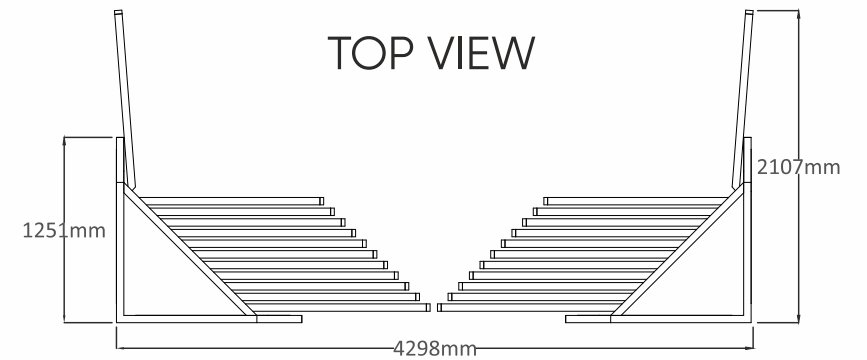
**COLOUR**



SIDE VIEW



TOP VIEW



| CODE | STAND SIZE<br>(H X L X W) | PANEL SIZE          | PANEL QTY. | TILES SIZE |
|------|---------------------------|---------------------|------------|------------|
| M001 | 2130X3455X1120            | 1830X915 (6'X3')    | 20         | 300X450    |
|      | 2130X3760X1245            | 1830X915 (6'X3')    | 24         | 300X300    |
|      | 2130X4220X1475            | 1830X915 (6'X3')    | 30         |            |
| M002 | 2130X4115X1120            | 1830X1220 (6'X4')   | 20         | 300X300    |
|      | 2130X4370X1245            | 1830X1220 (6'X4')   | 24         | 600X600    |
|      | 2130X192X58               | 1830X1220 (6'X4')   | 30         | 600X1200   |
| M003 | 2130X4370X1120            | 1830X1370 (6'X4.5') | 20         | 300X450    |
|      | 2130X4675X1245            | 1830X1370 (6'X4.5') | 24         |            |
|      | 2130X5130X1480            | 1830X1370 (6'X4.5') | 30         |            |
| M004 | 2130X4880X1120            | 1830X1625 (6'X5.5') | 20         | 800X1600   |
|      | 2130X5180X1245            | 1830X1625 (6'X5.5') | 24         |            |
|      | 2130X5640X1480            | 1830X1625 (6'X5.5') | 30         |            |
| M005 | 2130X5285X1120            | 1830X1830 (6'X6')   | 20         | 1200X1800  |
|      | 2130X5590X1245            | 1830X1830 (6'X6')   | 24         |            |
|      | 2130X6045X1480            | 1830X1830 (6'X6')   | 30         |            |

| CODE | STAND SIZE<br>(H * L * W) | PANEL SIZE          | PANEL QTY. | TILES SIZE |
|------|---------------------------|---------------------|------------|------------|
| M006 | 2770X3455X1120            | 2440X915 (8'X3')    | 20         | 300X450    |
|      | 2770X3760X1245            | 2440X915 (8'X3')    | 24         | 300X300    |
|      | 2770X4220X1475            | 2440X915 (8'X3')    | 30         |            |
| M007 | 2770X4115X1120            | 2440X1220 (8'X4')   | 20         | 300X300    |
|      | 2770X4370X1245            | 2440X1220 (8'X4')   | 24         | 600X600    |
|      | 2770X192X58               | 2440X1220 (8'X4')   | 30         | 600X1200   |
| M008 | 2770X4370X1120            | 2440X1370 (8'X4.5') | 20         | 300X450    |
|      | 2770X4675X1245            | 2440X1370 (8'X4.5') | 24         |            |
|      | 2770X5130X1480            | 2440X1370 (8'X4.5') | 30         |            |
| M009 | 2770X4880X1120            | 2440X1625 (8'X5.5") | 20         | 800X1600   |
|      | 2770X5180X1245            | 2440X1625 (8'X5.5") | 24         |            |
|      | 2770X5640X1480            | 2440X1625 (8'X5.5") | 30         |            |
| M010 | 2770X5285X1120            | 2440X1830 (8'X6')   | 20         | 1200X1800  |
|      | 2770X5590X1245            | 2440X1830 (8'X6')   | 24         |            |
|      | 2770X6045X1480            | 2440X1830 (8'X6')   | 30         |            |

| CODE | STAND SIZE<br>(H X L X W) | PANEL SIZE           | PANEL QTY. | TILES SIZE |
|------|---------------------------|----------------------|------------|------------|
| M011 | 3350X3455X1120            | 3050X915 (10'X3')    | 20         | 300X450    |
|      | 3350X3760X1245            | 3050X915 (10'X3')    | 24         | 300X300    |
|      | 3350X4220X1475            | 3050X915 (10'X3')    | 30         |            |
| M012 | 3350X4115X1120            | 3050X1220 (10'X4')   | 20         | 300X300    |
|      | 3350X4370X1245            | 3050X1220 (10'X4')   | 24         | 600X600    |
|      | 3350X192X58               | 3050X1220 (10'X4')   | 30         | 600X1200   |
| M013 | 3350X4370X1120            | 3050X1370 (10'X4.5') | 20         | 300X450    |
|      | 3350X4675X1245            | 3050X1370 (10'X4.5') | 24         |            |
|      | 3350X5130X1480            | 3050X1370 (10'X4.5') | 30         |            |
| M014 | 3350X4880X1120            | 3050X1625 (10'X5.5') | 20         | 800X1600   |
|      | 3350X5180X1245            | 3050X1625 (10'X5.5') | 24         |            |
|      | 3350X5640X1480            | 3050X1625 (10'X5.5') | 30         |            |
| M015 | 3350X5285X1120            | 3050X1830 (10'X6')   | 20         | 1200X1800  |
|      | 3350X5590X1245            | 3050X1830 (10'X6')   | 24         |            |
|      | 3350X6045X1480            | 3050X1830 (10'X6')   | 30         |            |

| CODE | STAND SIZE<br>(H X L X W) | PANEL SIZE           | PANEL QTY. | TILES SIZE |
|------|---------------------------|----------------------|------------|------------|
| M016 | 3510X3455X1120            | 3200X915 (10'X3')    | 20         | 300X450    |
|      | 3510X3760X1245            | 3200X915 (10'X3')    | 24         | 300X300    |
|      | 3510X4220X1475            | 3200X915 (10'X3')    | 30         |            |
| M017 | 3510X4115X1120            | 3200X1220 (10'X4')   | 20         | 300X300    |
|      | 3510X4370X1245            | 3200X1220 (10'X4')   | 24         | 600X600    |
|      | 3510X192X58               | 3200X1220 (10'X4')   | 30         | 600X1200   |
| M018 | 3510X4370X1120            | 3200X1370 (10'X4.5') | 20         | 300X450    |
|      | 3510X4675X1245            | 3200X1370 (10'X4.5') | 24         |            |
|      | 3510X5130X1480            | 3200X1370 (10'X4.5') | 30         |            |
| M019 | 3510X4880X1120            | 3200X1625 (10'X5.5") | 20         | 800X1600   |
|      | 3510X5180X1245            | 3200X1625 (10'X5.5") | 24         |            |
|      | 3510X5640X1480            | 3200X1625 (10'X5.5") | 30         |            |
| M020 | 3510X5285X1120            | 3200X1830 (10'X6')   | 20         | 1200X1800  |
|      | 3510X5590X1245            | 3200X1830 (10'X6')   | 24         |            |
|      | 3510X6045X1480            | 3200X1830 (10'X6')   | 30         |            |



**SELF  
STANDING  
BOOKLET**



## MATERIAL DETAILS

**TYPE :** MS PIPE

**COATING :** POWDER COATING

**PANEL PIPE :** 50 X 25 X 1.2

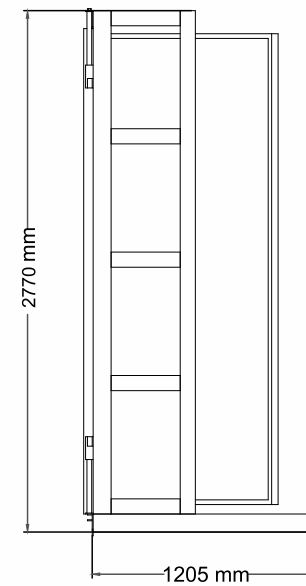
**WEIGHT :** 1.5 TON (APPROX)

**OUTER BODY STRUCTURE PIPE :** 100 X 100 X 3 MM

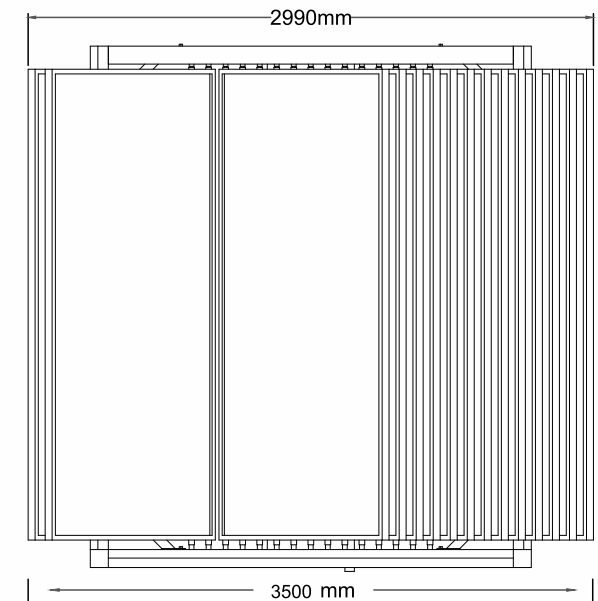
**COLOUR**



SIDE VIEW



FRONT VIEW






| CODE | STAND SIZE<br>(H X L X W) | PANEL SIZE          | PANEL QTY. | TILES SIZE |
|------|---------------------------|---------------------|------------|------------|
| M001 | 2130X1920X1230            | 1830X915 (6'X3')    | 10         | 300X450    |
|      | 2130X2360X1230            | 1830X915 (6'X3')    | 15         | 300X450    |
|      | 2130X2800X1230            | 1830X915 (6'X3')    | 20         | 300X450    |
|      | 2130X3760X1245            | 1830X915 (6'X3')    | 24         | 300X300    |
|      | 2130X4220X1475            | 1830X915 (6'X3')    | 30         |            |
| M002 | 2130X4115X1120            | 1830X1220 (6'X4')   | 20         | 300X300    |
|      | 2130X4370X1245            | 1830X1220 (6'X4')   | 24         | 600X600    |
|      | 2130X192X58               | 1830X1220 (6'X4')   | 30         | 600X1200   |
| M003 | 2130X4370X1120            | 1830X1370 (6'X4.5') | 20         | 300X450    |
|      | 2130X4675X1245            | 1830X1370 (6'X4.5') | 24         |            |
|      | 2130X5130X1480            | 1830X1370 (6'X4.5') | 30         |            |
| M004 | 2130X4880X1120            | 1830X1625 (6'X5.5') | 20         | 800X1600   |
|      | 2130X5180X1245            | 1830X1625 (6'X5.5') | 24         |            |
|      | 2130X5640X1480            | 1830X1625 (6'X5.5') | 30         |            |
| M005 | 2130X5285X1120            | 1830X1830 (6'X6')   | 20         | 1200X1800  |
|      | 2130X5590X1245            | 1830X1830 (6'X6')   | 24         |            |
|      | 2130X6045X1480            | 1830X1830 (6'X6')   | 30         |            |

| CODE | STAND SIZE<br>(H X L X W) | PANEL SIZE          | PANEL QTY. | TILES SIZE |
|------|---------------------------|---------------------|------------|------------|
| M006 | 2770X3455X1120            | 2440X915 (8'X3')    | 20         | 300X450    |
|      | 2770X3760X1245            | 2440X915 (8'X3')    | 24         | 300X300    |
|      | 2770X4220X1475            | 2440X915 (8'X3')    | 30         |            |
| M007 | 2770X4115X1120            | 2440X1220 (8'X4')   | 20         | 300X300    |
|      | 2770X4370X1245            | 2440X1220 (8'X4')   | 24         | 600X600    |
|      | 2770X192X58               | 2440X1220 (8'X4')   | 30         | 600X1200   |
| M008 | 2770X4370X1120            | 2440X1370 (8'X4.5') | 20         | 300X450    |
|      | 2770X4675X1245            | 2440X1370 (8'X4.5') | 24         |            |
|      | 2770X5130X1480            | 2440X1370 (8'X4.5') | 30         |            |
| M009 | 2770X4880X1120            | 2440X1625 (8'X5.5') | 20         | 800X1600   |
|      | 2770X5180X1245            | 2440X1625 (8'X5.5') | 24         |            |
|      | 2770X5640X1480            | 2440X1625 (8'X5.5') | 30         |            |
| M010 | 2770X5285X1120            | 2440X1830 (8'X6')   | 20         | 1200X1800  |
|      | 2770X5590X1245            | 2440X1830 (8'X6')   | 24         |            |
|      | 2770X6045X1480            | 2440X1830 (8'X6')   | 30         |            |



| CODE | STAND SIZE<br>(H X L X W) | PANEL SIZE           | PANEL QTY. | TILES SIZE |
|------|---------------------------|----------------------|------------|------------|
| M011 | 3350X3455X1120            | 3050X915 (10'X3')    | 20         | 300X450    |
|      | 3350X3760X1245            | 3050X915 (10'X3')    | 24         | 300X300    |
|      | 3350X4220X1475            | 3050X915 (10'X3')    | 30         |            |
| M012 | 3350X4115X1120            | 3050X1220 (10'X4')   | 20         | 300X300    |
|      | 3350X4370X1245            | 3050X1220 (10'X4')   | 24         | 600X600    |
|      | 3350X192X58               | 3050X1220 (10'X4')   | 30         | 600X1200   |
| M013 | 3350X4370X1120            | 3050X1370 (10'X4.5') | 20         | 300X450    |
|      | 3350X4675X1245            | 3050X1370 (10'X4.5') | 24         |            |
|      | 3350X5130X1480            | 3050X1370 (10'X4.5') | 30         |            |
| M014 | 3350X4880X1120            | 3050X1625 (10'X5.5") | 20         | 800X1600   |
|      | 3350X5180X1245            | 3050X1625 (10'X5.5") | 24         |            |
|      | 3350X5640X1480            | 3050X1625 (10'X5.5") | 30         |            |
| M015 | 3350X5285X1120            | 3050X1830 (10'X6')   | 20         | 1200X1800  |
|      | 3350X5590X1245            | 3050X1830 (10'X6')   | 24         |            |
|      | 3350X6045X1480            | 3050X1830 (10'X6')   | 30         |            |

| CODE | STAND SIZE<br>(H X L X W) | PANEL SIZE           | PANEL QTY. | TILES SIZE |
|------|---------------------------|----------------------|------------|------------|
| M016 | 3510X3455X1120            | 3200X915 (10'X3')    | 20         | 300X450    |
|      | 3510X3760X1245            | 3200X915 (10'X3')    | 24         | 300X300    |
|      | 3510X4220X1475            | 3200X915 (10'X3')    | 30         |            |
| M017 | 3510X4115X1120            | 3200X1220 (10'X4')   | 20         | 300X300    |
|      | 3510X4370X1245            | 3200X1220 (10'X4')   | 24         | 600X600    |
|      | 3510X192X58               | 3200X1220 (10'X4')   | 30         | 600X1200   |
| M018 | 3510X4370X1120            | 3200X1370 (10'X4.5') | 20         | 300X450    |
|      | 3510X4675X1245            | 3200X1370 (10'X4.5') | 24         |            |
|      | 3510X5130X1480            | 3200X1370 (10'X4.5') | 30         |            |
| M019 | 3510X4880X1120            | 3200X1625 (10'X5.5') | 20         | 800X1600   |
|      | 3510X5180X1245            | 3200X1625 (10'X5.5') | 24         |            |
|      | 3510X5640X1480            | 3200X1625 (10'X5.5') | 30         |            |
| M020 | 3510X5285X1120            | 3200X1830 (10'X6')   | 20         | 1200X1800  |
|      | 3510X5590X1245            | 3200X1830 (10'X6')   | 24         |            |
|      | 3510X6045X1480            | 3200X1830 (10'X6')   | 30         |            |



**V - SHAPE  
BOMBAY  
BOOK**





# V - SHAPE BOMBAY BOOK



## MATERIAL DETAILS

**TYPE :** MS PIPE

**COATING :** POWDER COATING

**PANEL PIPE :** 50 X 25 X 1.2 MM

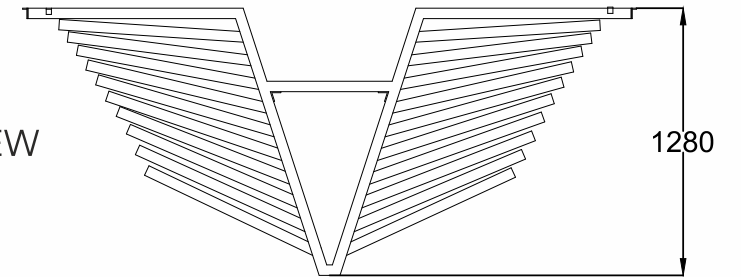
**WEIGHT :** 1.5 TON (APPROX)

**OUTER BODY STRUCTURE PIPE :** 100 X 50 X 3 MM

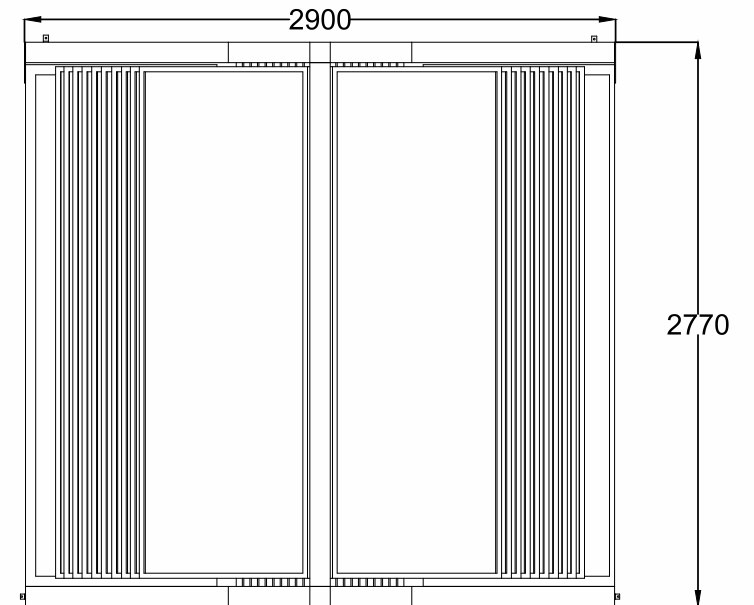
**COLOUR**



TOP VIEW



FRONT VIEW






| CODE | STAND SIZE<br>(H X L X W) | PANEL SIZE          | PANEL QTY. | TILES SIZE |
|------|---------------------------|---------------------|------------|------------|
| M001 | 2130X1920X1230            | 1830X915 (6'X3')    | 10         | 300X450    |
|      | 2130X2360X1230            | 1830X915 (6'X3')    | 15         | 300X450    |
|      | 2130X2800X1230            | 1830X915 (6'X3')    | 20         | 300X450    |
|      | 2130X3760X1245            | 1830X915 (6'X3')    | 24         | 300X300    |
|      | 2130X4220X1475            | 1830X915 (6'X3')    | 30         |            |
| M002 | 2130X4115X1120            | 1830X1220 (6'X4')   | 20         | 300X300    |
|      | 2130X4370X1245            | 1830X1220 (6'X4')   | 24         | 600X600    |
|      | 2130X192X58               | 1830X1220 (6'X4')   | 30         | 600X1200   |
| M003 | 2130X4370X1120            | 1830X1370 (6'X4.5') | 20         | 300X450    |
|      | 2130X4675X1245            | 1830X1370 (6'X4.5') | 24         |            |
|      | 2130X5130X1480            | 1830X1370 (6'X4.5') | 30         |            |
| M004 | 2130X4880X1120            | 1830X1625 (6'X5.5') | 20         | 800X1600   |
|      | 2130X5180X1245            | 1830X1625 (6'X5.5') | 24         |            |
|      | 2130X5640X1480            | 1830X1625 (6'X5.5') | 30         |            |
| M005 | 2130X5285X1120            | 1830X1830 (6'X6')   | 20         | 1200X1800  |
|      | 2130X5590X1245            | 1830X1830 (6'X6')   | 24         |            |
|      | 2130X6045X1480            | 1830X1830 (6'X6')   | 30         |            |

| CODE | STAND SIZE<br>(H X L X W) | PANEL SIZE          | PANEL QTY. | TILES SIZE |
|------|---------------------------|---------------------|------------|------------|
| M006 | 2770X3455X1120            | 2440X915 (8'X3')    | 20         | 300X450    |
|      | 2770X3760X1245            | 2440X915 (8'X3')    | 24         | 300x300    |
|      | 2770X4220X1475            | 2440X915 (8'X3')    | 30         |            |
| M007 | 2770X4115X1120            | 2440X1220 (8'X4')   | 20         | 300X300    |
|      | 2770X4370X1245            | 2440X1220 (8'X4')   | 24         | 600X600    |
|      | 2770X192X58               | 2440X1220 (8'X4')   | 30         | 600X1200   |
| M008 | 2770X4370X1120            | 2440X1370 (8'X4.5') | 20         | 300X450    |
|      | 2770X4675X1245            | 2440X1370 (8'X4.5') | 24         |            |
|      | 2770X5130X1480            | 2440X1370 (8'X4.5') | 30         |            |
| M009 | 2770X4880X1120            | 2440X1625 (8'X5.5') | 20         | 800X1600   |
|      | 2770X5180X1245            | 2440X1625 (8'X5.5') | 24         |            |
|      | 2770X5640X1480            | 2440X1625 (8'X5.5') | 30         |            |
| M010 | 2770X5285X1120            | 2440X1830 (8'X6')   | 20         | 1200X1800  |
|      | 2770X5590X1245            | 2440X1830 (8'X6')   | 24         |            |
|      | 2770X6045X1480            | 2440X1830 (8'X6')   | 30         |            |



| CODE | STAND SIZE (H X L X W) | PANEL SIZE           | PANEL QTY. | TILES SIZE |
|------|------------------------|----------------------|------------|------------|
| M011 | 3350X3455X1120         | 3050X915 (10'X3')    | 20         | 300X450    |
|      | 3350X3760X1245         | 3050X915 (10'X3')    | 24         | 300X300    |
|      | 3350X4220X1475         | 3050X915 (10'X3')    | 30         |            |
| M012 | 3350X4115X1120         | 3050X1220 (10'X4')   | 20         | 300X300    |
|      | 3350X4370X1245         | 3050X1220 (10'X4')   | 24         | 600X600    |
|      | 3350X192X58            | 3050X1220 (10'X4')   | 30         | 600X1200   |
| M013 | 3350X4370X1120         | 3050X1370 (10'X4.5') | 20         | 300X450    |
|      | 3350X4675X1245         | 3050X1370 (10'X4.5') | 24         |            |
|      | 3350X5130X1480         | 3050X1370 (10'X4.5') | 30         |            |
| M014 | 3350X4880X1120         | 3050X1625 (10'X5.5') | 20         | 800X1600   |
|      | 3350X5180X1245         | 3050X1625 (10'X5.5') | 24         |            |
|      | 3350X5640X1480         | 3050X1625 (10'X5.5') | 30         |            |
| M015 | 3350X5285X1120         | 3050X1830 (10'X6')   | 20         | 1200X1800  |
|      | 3350X5590X1245         | 3050X1830 (10'X6')   | 24         |            |
|      | 3350X6045X1480         | 3050X1830 (10'X6')   | 30         |            |

| CODE | STAND SIZE (H X L X W) | PANEL SIZE             | PANEL QTY. | TILES SIZE  |
|------|------------------------|------------------------|------------|-------------|
| M016 | 3510 X 3455 X 1120     | 3200 X 915 (10'X3')    | 20         | 300 X 450   |
|      | 3510 X 3760 X 1245     | 3200 X 915 (10'X3')    | 24         | 300 X 300   |
|      | 3510 X 4220 X 1475     | 3200 X 915 (10'X3')    | 30         |             |
| M017 | 3510 X 4115 X 1120     | 3200 X 1220 (10'X4')   | 20         | 300 X 300   |
|      | 3510 X 4370 X 1245     | 3200 X 1220 (10'X4')   | 24         | 600 X 600   |
|      | 3510 X 192 X 58        | 3200 X 1220 (10'X4')   | 30         | 600 X 1200  |
| M018 | 3510 X 4370 X 1120     | 3200 X 1370 (10'X4.5') | 20         | 300 X 450   |
|      | 3510 X 4675 X 1245     | 3200 X 1370 (10'X4.5') | 24         |             |
|      | 3510 X 5130 X 1480     | 3200 X 1370 (10'X4.5') | 30         |             |
| M019 | 3510 X 4880 X 1120     | 3200 X 1625 (10'X5.5') | 20         | 800 X 1600  |
|      | 3510 X 5180 X 1245     | 3200 X 1625 (10'X5.5') | 24         |             |
|      | 3510 X 5640 X 1480     | 3200 X 1625 (10'X5.5') | 30         |             |
| M020 | 3510 X 5285 X 1120     | 3200 X 1830 (10'X6')   | 20         | 1200 X 1800 |
|      | 3510 X 5590 X 1245     | 3200 X 1830 (10'X6')   | 24         |             |
|      | 3510 X 6045 X 1480     | 3200 X 1830 (10'X6')   | 30         |             |



**BOMBAY**  
BOOK



## MATERIAL DETAILS

**TYPE :** MS PIPE

**COATING :** POWDER COATING

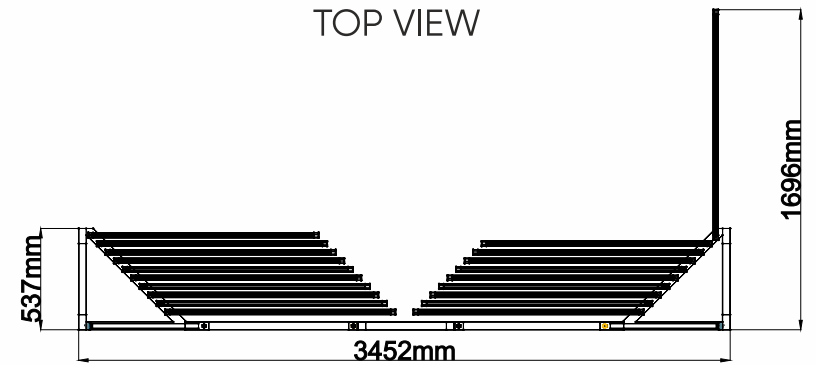
**PANEL PIPE :** 50 X 25 X 1.2 MM

**OUTER BODY STRUCTURE PIPE :** 100 X 50 X 3 MM

**COLOUR**



TOP VIEW



| CODE | STAND SIZE<br>(H * L * W) | PANEL SIZE | TILE SIZE<br>(L * W * T) | TILES QTY. | WEIGHT<br>(KG) |
|------|---------------------------|------------|--------------------------|------------|----------------|
| M001 | 2770 x 3452 x 537         | -          | 800 x 2400 x 20          |            | 1000           |
|      |                           |            |                          |            |                |
|      |                           |            |                          |            |                |



**SELF STADING**  
BOOKLET



## MATERIAL DETAILS

**TYPE :** MS PIPE

**COATING :** POWDER COATING

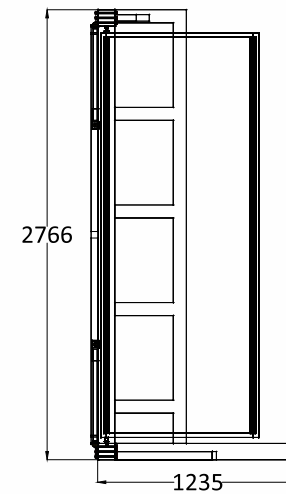
**PANEL PIPE :** 50 X 25 X 1.2 MM

**OUTER BODY STRUCTURE PIPE :** 100 X 50 X 3 MM

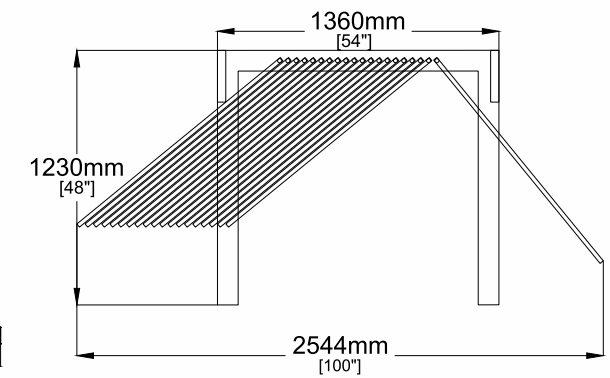
**COLOUR**



SIDE VIEW



FRONT VIEW



| CODE | STAND SIZE<br>(H * L * W) | PANEL SIZE | TILE SIZE<br>(L * W * T) | TILES QTY. | WEIGHT<br>(KG) |
|------|---------------------------|------------|--------------------------|------------|----------------|
| M001 | 2766 x 2544 x 1235        | -          | -                        |            | 1000           |
|      |                           |            |                          |            |                |
|      |                           |            |                          |            |                |



**BOOKLET**  
STANDS



## MATERIAL DETAILS

**TYPE :** MS PIPE

**COATING :** POWDER COATING

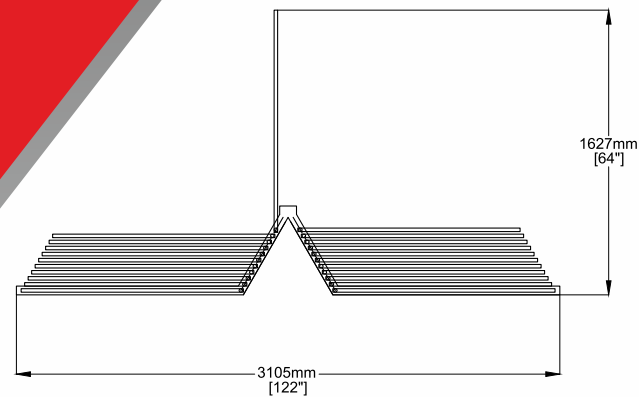
**PANEL PIPE :** 50 X 25 X 1.2 MM

**OUTER BODY STRUCTURE PIPE :** 100 X 50 X 3 MM

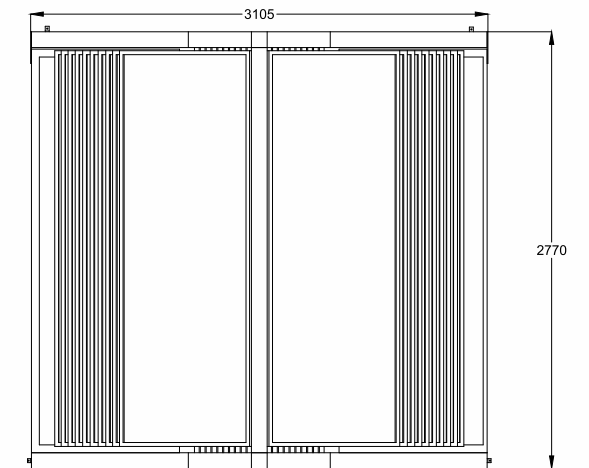
**COLOUR**



TOP VIEW



FRONT VIEW



| CODE | STAND SIZE<br>(H * L * W) | PANEL SIZE | TILE SIZE<br>(L * W * T) | TILES QTY. | WEIGHT<br>(KG) |
|------|---------------------------|------------|--------------------------|------------|----------------|
| M001 | 2770 x 3105 x 1627        | -          | -                        |            | 1000           |
|      |                           |            |                          |            |                |
|      |                           |            |                          |            |                |



VERTICLE  
SLIDER



**ADAPTIVE SIZE**

POWERFUL DISPLAY THAT GRABS ATTENTION

# VERTICLE SLIDER



## MATERIAL DETAILS

**TYPE :** MS PIPE

**PANEL PIPE :** 20 X 20 X 1.2 MM

**COATING :** POWDER COATING

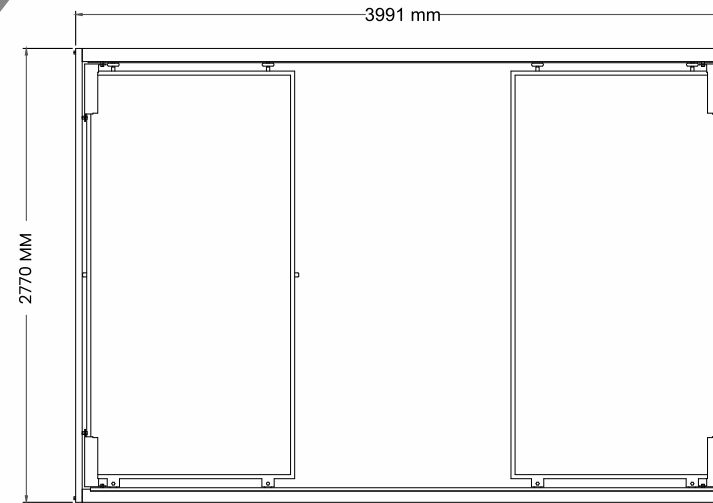
**WEIGHT :** 80 KG (APPROX)

**OUTER BODY STRUCTURE PIPE :** 50 X 50 X 1.2 MM

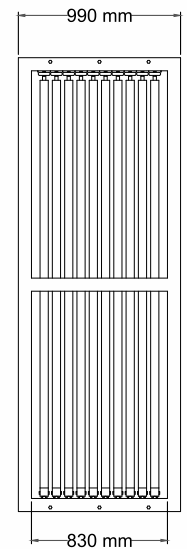
**COLOUR**



FRONT VIEW



SIDE VIEW



| CODE | STAND SIZE<br>(H * L * W) | PANEL SIZE | TILE SIZE<br>(L * W * T) | TILES QTY. | WEIGHT<br>(KG) |
|------|---------------------------|------------|--------------------------|------------|----------------|
| M001 | 2700 x 3900 x 830         | -          | 800 x 1600 x 09          | 20         | 80             |
|      |                           |            |                          |            |                |
|      |                           |            |                          |            |                |



100  
**SLOP**  
SLIDER



## MATERIAL DETAILS

**TYPE :** MS PIPE

**PANEL PIPE :** 20 X 20 X 1.2 MM

**COATING :** POWDER COATING

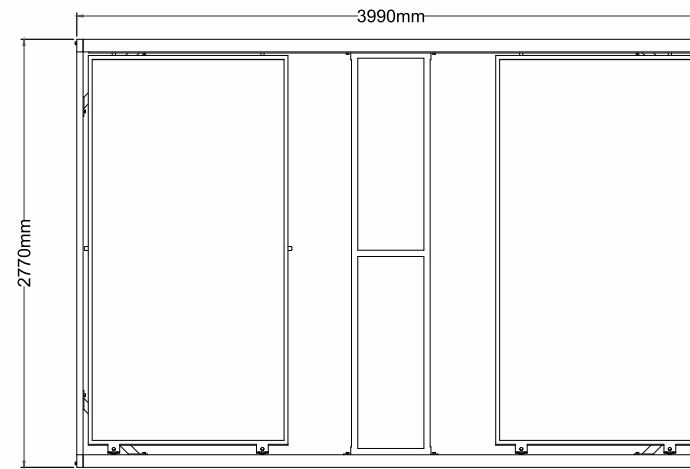
**WEIGHT :** 80 KG (APPROX)

**OUTER BODY STRUCTURE PIPE :** 50 X 50 X 1.2 MM

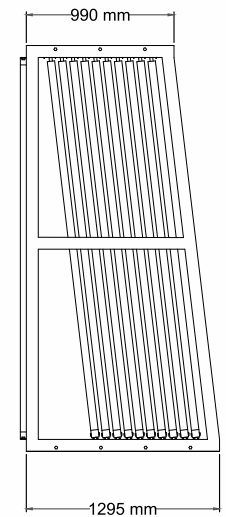
**COLOUR**



FRONT VIEW



SIDE VIEW



| CODE | STAND SIZE<br>(H * L * W) | PANEL SIZE | TILE SIZE<br>(L * W * T) | TILES QTY. | WEIGHT<br>(KG) |
|------|---------------------------|------------|--------------------------|------------|----------------|
| M001 | 2700 x 3900 x 1290        | -          | 800 x 1600 x 09          | 20         | 80             |
|      |                           |            |                          |            |                |
|      |                           |            |                          |            |                |



VERTICAL  
SLIDER



# VERTICAL SLIDER

## MATERIAL DETAILS

**TYPE :** MS PIPE

**PANEL PIPE :** 20 X 20 X 1.2 MM

**COATING :** POWDER COATING

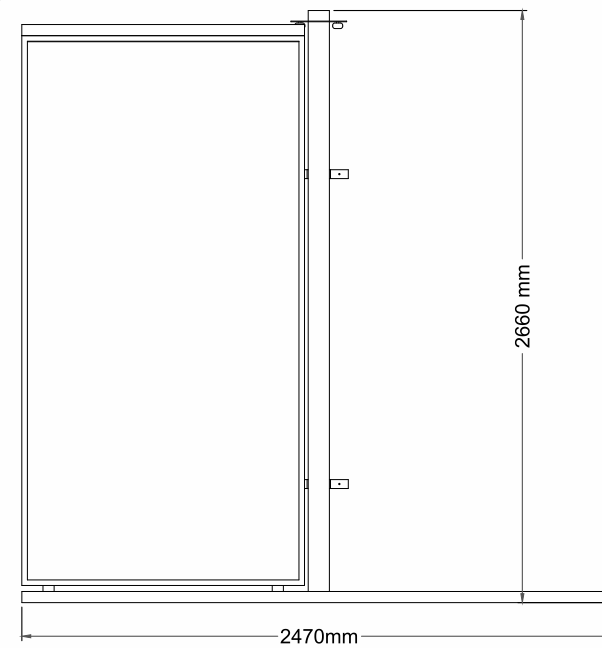
**WEIGHT :** 80 KG (APPROX)

**OUTER BODY STRUCTURE PIPE :** 50 X 50 X 1.2 MM

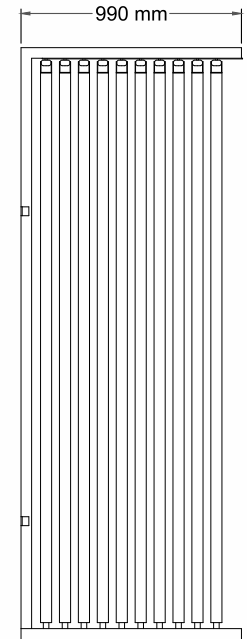
### COLOUR



FRONT VIEW



SIDE VIEW



| CODE | STAND SIZE<br>(H * L * W) | PANEL SIZE | TILE SIZE<br>(L * W * T) | TILES QTY. | WEIGHT<br>(KG) |
|------|---------------------------|------------|--------------------------|------------|----------------|
| M001 | 2600 x 2500 x 900         | -          | 800 x 1600 x 09          | 40         | 80             |
|      |                           |            |                          |            |                |
|      |                           |            |                          |            |                |



VERTICLE  
SLIDER



# VERTICLE SLIDER



## MATERIAL DETAILS

**TYPE :** MS PIPE

**PANEL PIPE :** 20 X 20 X 1.2 MM

**COATING :** POWDER COATING

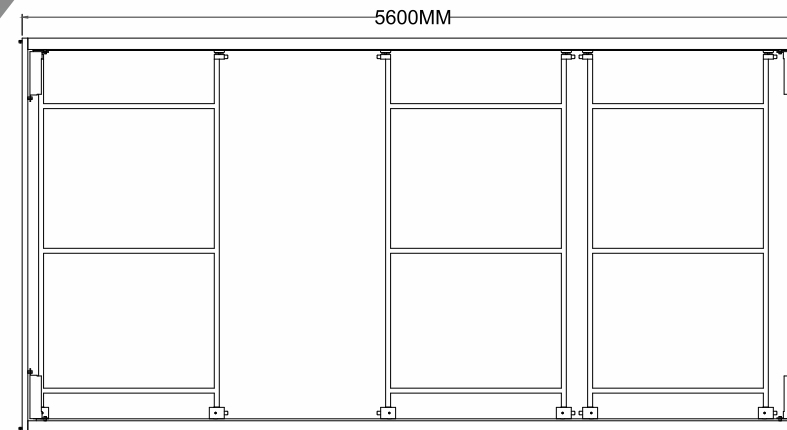
**WEIGHT :** 80 KG (APPROX)

**OUTER BODY STRUCTURE PIPE :** 50 X 50 X 1.2 MM

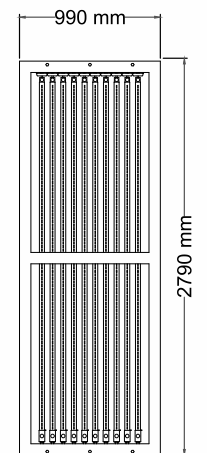
**COLOUR**



FRONT VIEW



SIDE VIEW



| CODE | STAND SIZE<br>(H * L * W) | PANEL SIZE | TILE SIZE<br>(L * W * T) | TILES QTY. | WEIGHT<br>(KG) |
|------|---------------------------|------------|--------------------------|------------|----------------|
| M001 | 2800 x 5600 x 900         | -          | 800 x 1600 x 09          | 120        | 80             |
|      |                           |            |                          |            |                |
|      |                           |            |                          |            |                |



# FRAMELESS VERTICLE SLIDER



# FRAMELESS VERTICLE SLIDER



## MATERIAL DETAILS

**TYPE :** MS PIPE

**PANEL PIPE :** 20 X 20 X 1.2 MM

**COATING :** POWDER COATING

**WEIGHT :** 80 KG (APPROX)

**OUTER BODY STRUCTURE PIPE :** 50 X 50 X 1.2 MM

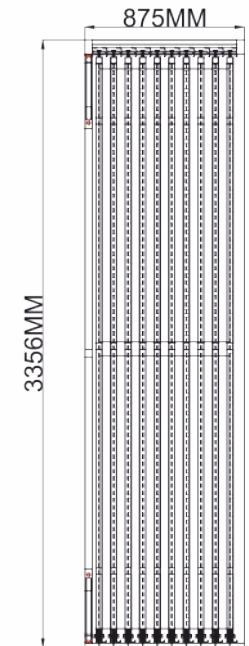
**COLOUR**



TOP VIEW



SIDE VIEW



| CODE | STAND SIZE<br>(H * L * W) | PANEL SIZE | TILE SIZE<br>(L * W * T) | TILES QTY. | WEIGHT<br>(KG) |
|------|---------------------------|------------|--------------------------|------------|----------------|
| M001 | 3355 x 5150 x 875         | -          | 600 x 1200 x 09          | 120        | 80             |
|      |                           |            |                          |            |                |
|      |                           |            |                          |            |                |



VERTICLE  
PULLOUT  
SLIDER



# VERTICLU PULLOUT SLIDER



## MATERIAL DETAILS

**TYPE :** MS PIPE

**PANEL PIPE :** 20 X 20 X 1.2 MM

**COATING :** POWDER COATING

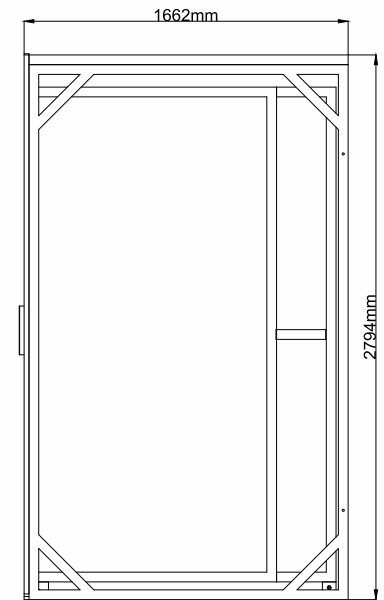
**WEIGHT :** 80 KG (APPROX)

**OUTER BODY STRUCTURE PIPE :** 50 X 50 X 1.2 MM

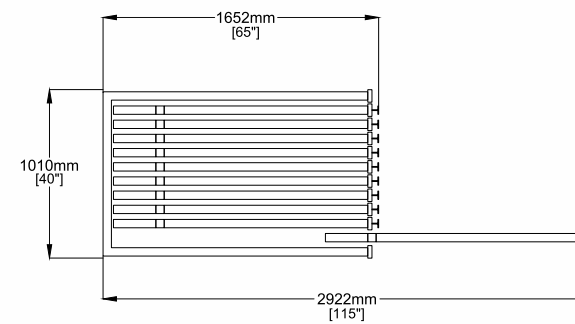
**COLOUR**



SIDE VIEW



TOP VIEW



## PUSH & PULL SERIES

| CODE | STAND SIZE<br>(H * L * W) | PANEL SIZE | TILE SIZE<br>(L * W * T) | TILES QTY. | WEIGHT<br>(KG) |
|------|---------------------------|------------|--------------------------|------------|----------------|
| M001 | 2790 x 2922 x 1010        | -          | 600 x 1200 x 09          | 10         | 80             |
|      |                           |            |                          |            |                |
|      |                           |            |                          |            |                |







📍 Plot No. 48, Survey No. 597p, Flora Estate, Ghuntu Road, Ghutu,  
Morbi - 363 642

✉ [info@momaitilesdisplay.com](mailto:info@momaitilesdisplay.com)    🌐 [www.momaitilesdisplay.com](http://www.momaitilesdisplay.com)

